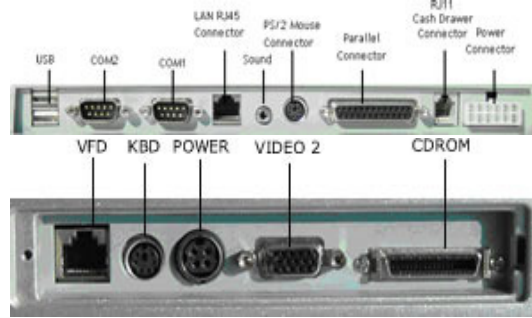


# Gladius



|                                    |   |
|------------------------------------|---|
| <b>Construction</b>                | <b>Die-cast Aluminum Casing</b>   |
| <b>LCD Display</b>                 | 12.1" 800x600 TFT colour LCD<br><b>15.1" 1024x768 TFT colour LCD</b>          |
| <b>Touch Panel</b>                 | ELO 5-wire resistive touch screen   |
| <b>CPU</b>                         | Cel 2.0 Ghz   |
| <b>RAM</b>                         | 512 MB DRAM   |
| <b>Storage Devices</b>             | 40 GB   |
| <b>Solid State Disk</b>            | Compact Flash (Optional)  |
| <b>LAN</b>                         | 10/100BaseT Ethernet (OnBoard)  |
| <b>Serial Ports</b>                | Four RS-232C serial ports   |
|                                    | COM1/2/4 RS-232C in 9-pin D-sub male<br>(Pin 9 may set to supply +5V or +12V) |
|                                    | COM2 may be set as RS-422/RS-485  |
|                                    | COM3 used for touch screen panel<br>COM4 used for customer display            |
| <b>Parallel Ports</b>              | One Parallel port support SPP/EPP/ECP modes. 25-pin D-sub female              |
| <b>VGA Port</b>                    | One connector for external VGA monitor  |
| <b>Sound Port</b>                  | Line out for powered speakers   |
| <b>USB Port</b>                    | Two USB ports   |
| <b>Keyboard Port</b>               | PS/2 style keyboard port  |
| <b>Mouse Port</b>                  | PS/2 style mouse port   |
| <b>CD-ROM Port</b>                 | One connector for external CD-ROM drive                                       |
| <b>Drawer Port</b>                 | One RJ-11 Epson-style drawer port <b>capable of driving two +12V drawers</b>  |
| <b>Power Supply</b>                | <b>External 120W power adapter</b>  |
| <b>Height</b>                      | 310mm with display upright  |
| <b>Width</b>                       | 315mm   |
|                                    | 360mm with MCR  |
| <b>Base Depth</b>                  | 265mm   |
| <b>Base Width</b>                  | 245mm   |
| <b>Display Height</b>              | 245mm   |
| <b>Display Tilt</b>                | 90° (upright) to 180° (flat)  |
| <b>Operating Systems Supported</b> | <b>Windows 98/ 2000 server/ XP Professional/ Linux</b>                        |